

HYUNDAI MIGHTY EX6 chassis cab



Engine		Electrical system	
Type	Turbo Charger Intercooler 4 stroke-cycle, water-cooled, direct-injection diesel engine	Audio	T800 (Radio+Aux+CDP/MP3+USB/IPOD) Multidisplay
Number of Cylinder	4 in-line	Locking	Central Door Locking + Power Window + Keyless Entry + Semi Trim
Piston Displacement (cc)	3,933	Immobiliser	Yes
Max. Power** (ps/rpm)	Euro V 140/2,500	Head lamps	Semi-sealed Beam
Max. Torque ** (Nm/rpm)	Euro V 392/1,400	Front combination lamps	Turn signal / Hazard-Amber, Position - White
Fuel System	Injection pump Governor Denso Common rail system Electrical type (ECU Control)	Fog lamps	White
** Max. Power and Torque of engine may vary according to each country. # : Tropical Zone only		Rear combination lamps	Turn signal / Hazard-Amber, Tail / Stop - Red
License plate lamp		Service Lamp Circuit	White
Back-up lamp		Back-up lamp	White
Transmission		Instruments	
Type	5 Speed	Meter Cluster	Fixed type
Rear Axle		Meter	Speedometer / Tachometer / Fuel gauge / Water temperature gauge LCD
Type	Full floating type	Warning lamps & indicators	Brake fluid level of reservoir / Parking brake / Oil pressure / Battery
Capacity	kg 4,700	Horn	Single, Electric type
Final Reduction Gear	Type Single Reduction, Hypoid gear	Cruise control	Yes
	G/Ratio 4.625	Heating/ Air conditioning (Manual)	Yes
Front Axle		Body /Cab	
Type	Reverse Elliot type "I" beam	Type Mounting	Tilt type with torsion bars, all steel welded construction with safety zone
Capacity	kg 2,300	Windshield	One piece type with laminated glass, tinted upper section
Tire & Wheel		Windshield Wipers	Dual electric three speed (intermittent / low / fast) wipers & washer
Type	Single Front, Dual Rear	Mirrors	Wide Width Mirror - Heated
Tire	Front / Rear 205/75R17.5-10PR	Driver's Seat	Coil Suspension, urethane foam cushioned STD trim
Wheel	Front / Rear 17.5 x 6.00	Passenger's seat	Bench seat, STD Trim
Steering		Bumper	Body colour
Type	4-spoke, Ball-nut type, Tilt & Telescopic steering column	Grill	Chrome
Steering	Power assisted		
Service Brake		Warranty	
Front / Rear	Disc/Disc	3 year/ 150,000km	Mechanical
Actuation	Hydraulic with vacuum servo assistance, dual circuit		
Size (mm)	Front / Rear Disc 107cm ² x 21.5mm		
VDC	Vehicle Dynamic Control, (electronic stability control, hill start assistance)		
Parking Brake			
Actuation	Internal expanding type on propeller shaft at the rear of transmission assy		
Size (mm) Drum diameter x Lining width x Lining thickness	∅180 x 35 x 5 (M*S5 T/M) : Drum diameter x Lining width x Lining thickness		
Total lining area	132cm ² (M*S5 T/M)		
Exhaust Brake			
Type	Vacuum operated, butterfly valve type		
Suspension			
Type	Front / Rear Semi-elliptic, laminated leaf springs		
Spring Size (Length x Width x Thickness-number of leaves)	Front 1,200 x 70 x 10t-4, 11t-1		
	Rear /Main 1,250 x 70 x 10t-4, 11t-1		
	Rear/Helper 990 x 70 x 17t-2		
Shock absorber	Air double acting telescopic type on the FRONT/REAR axle		
Exhaust system			
General	Conventional (horizontal) type muffler		
Tail pipe	Droptail type, blowing to chassis rearward		
Fuel tank			
Capacity	100 ℓ		
Frame			
Type	"H" type frame with channel sectional side rail & cross members, side rail is		
Main section side rail dimension (mm)	Depth x Flange x Thickness : 183 x 60 x 6t		
Weights			
*Chassis cab weight kg	Range Front /Rear	2650-2730 1750-1800//870-915	
** Max Gross Vehicle Weight		5,995/6,500	
Gross vehicle weight	Front /Rear	3,100/4700	



images contain additional cost options

Annotations

- 1) Empty vehicle weight and curb weight shown are to 3.5% variation to allow for production tolerance.
- 2) Empty vehicle weight and curb weight include weight of oil, fuel, coolant and spare tire carrier & bracket, spare tire but exclude standard tool set
- 3) The vehicle specifications may differ per country.
- 4) Hyundai New Zealand reserves the right to alter the specifications, equipment or options or discontinue the models at any time without prior notice.

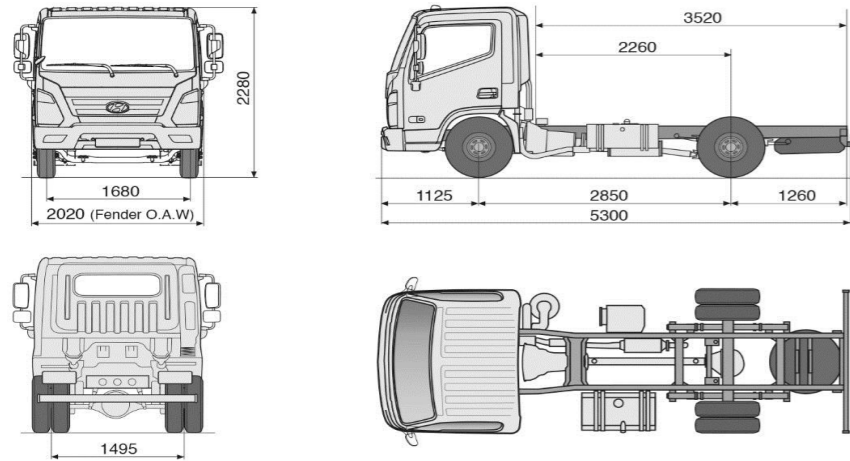
* Approximate, depending on variant and specification

** Max. GVW includes the front & rear axle loads based on the permissible tyre load, 5,995 & 6,500 variants

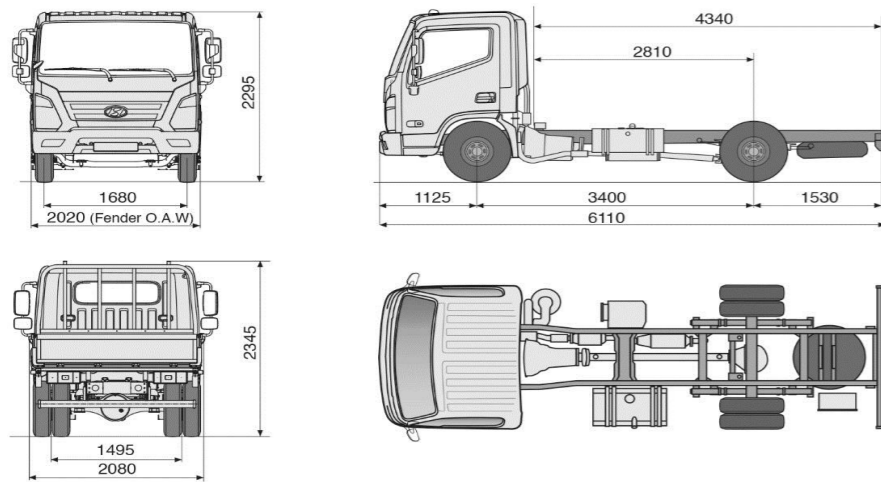
HYUNDAI MIGHTY EX6 dimensions



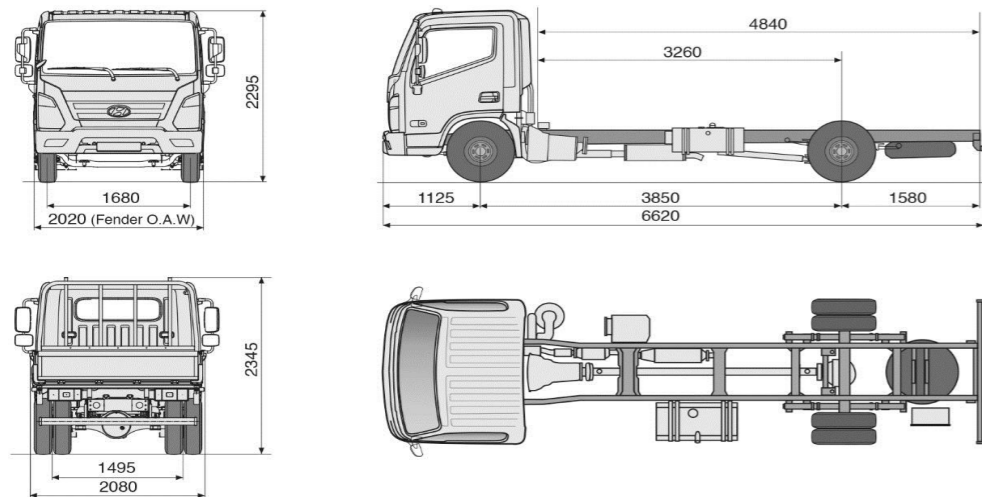
EX6 Std Cab Short Wheelbase



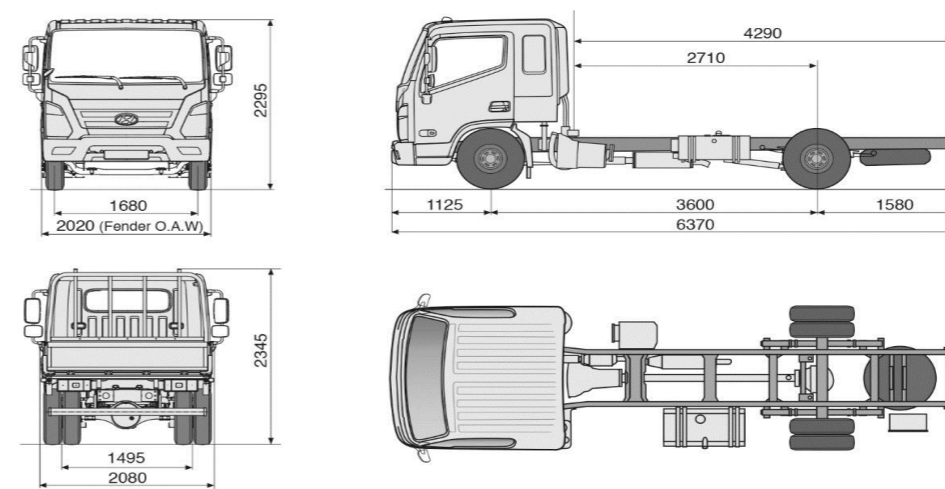
EX6 Std Cab Medium Wheelbase



EX6 Std Cab Long Wheelbase



EX6 Super Cab Medium Wheelbase



EX6 Std Super Cab Long Wheelbase

