



UD TRUCKS

# CRONER

## PK 18 280

4x2



### OVERVIEW

<b>Power:</b>	206 kW (280 PS) @ 2,200 rpm
<b>Torque:</b>	1,050 Nm (774 lb.ft) @ 1,100 rpm
<b>Transmission:</b>	Allison 3000 Series
<b>Suspension:</b>	Multi-leaf spring or electronically controlled air suspension
<b>GVM:</b>	17,500 kg
<b>GCM:</b>	32,000 kg

Note: PK 18 280 shown may not be representative of actual vehicle.

### CRONER UNIQUE FEATURES



**DRIVER EFFICIENCY** Allison automatic transmission, clear dashboard layout and ergonomic cab means less fatigue for the driver.



**PRODUCTIVITY** Wheelbase, rear-axle ratio and suspension options so you can optimise your truck for maximum productivity.



**PRODUCT UPTIME** Robust component design and a high tensile steel frame, manufactured and tested to deliver optimal performance.



**FUEL EFFICIENCY** High torque GH8E engine, Allison automatic transmission and UD's on-board fuel coach to maximise fuel efficiency.



**SAFETY** Anti-lock Braking System (ABS), Electronic Brakeforce Distribution (EBD), driver's airbag and seatbelt pretensioner as standard.



**UPTIME SUPPORT** Genuine service, parts, roadside assistance, driver training and telematics – support services to keep your truck on the road.

UD Trucks Distributors (NZ) Ltd  
udtrucks.co.nz

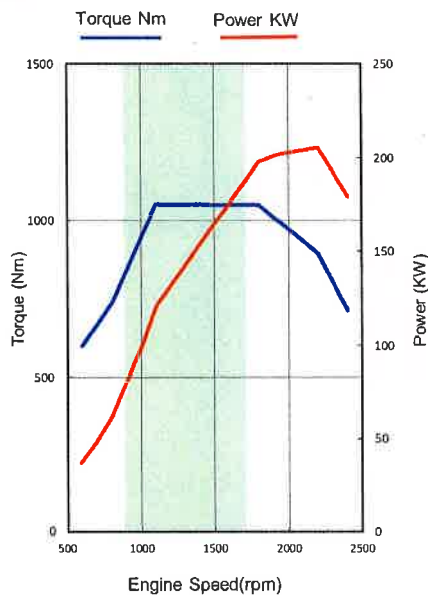
## GENERAL SPECIFICATIONS

### SAFETY

<b>Passive Safety:</b>	ECE R29 cab strength compliant ADR84 (ECE R93) Front Underrun Protection System (FUPS) SRS airbag with seat belt pretensioner
<b>Basic Safety:</b>	Electronic brakeforce distribution (EBD) Daytime running lights (DRL's) Front view spotter mirror Digital reverse camera

### ENGINE

<b>Model:</b>	GH8E
<b>Description:</b>	6 cylinder, 4 stroke diesel engine
<b>Displacement:</b>	7,698 cc
<b>Bore x stroke:</b>	110 mm x 135 mm
<b>Compression ratio:</b>	17.5:1
<b>Max. Power (ECE Net):</b>	206 kW (280 PS) @ 2,200 rpm
<b>Max. Torque (ECE Net):</b>	1,050 Nm (774 lb.ft) @ 1,100 rpm
<b>Max. governed engine speed:</b>	2,500 rpm



### FUEL AND INTAKE SYSTEM

<b>Fuel capacity:</b>	255 litre alloy tank with lockable cap
<b>Injection type:</b>	High pressure common rail direct fuel injection system
<b>Filtration:</b>	Chassis mounted primary filter and engine mounted secondary filter

### EMISSION CONTROL

<b>Emission standard:</b>	Euro 5 emission standard
<b>Emission system:</b>	Selective Catalytic Reduction (SCR)
<b>Adblue capacity:</b>	50 litres
<b>Exhaust system:</b>	RHS chassis mounted box muffler

### ELECTRICAL

<b>Power:</b>	24 volt, negative ground system
<b>Battery capacity:</b>	2 x 12 volt 110 Ah batteries
<b>Alternator:</b>	90 amp

## TRANSMISSION

<b>Make:</b>	Allison
<b>Model:</b>	3000 Series
<b>Description:</b>	6 speed fully automatic with Gen 5 adaptive shift
<b>Shift type:</b>	Push button shift selector
<b>Gear ratios:</b>	<b>1<sup>st</sup></b> 3.49 <b>2<sup>nd</sup></b> 1.86 <b>Rev 1</b> 5.03 <b>3<sup>rd</sup></b> 1.41 <b>4<sup>th</sup></b> 1.00 <b>5<sup>th</sup></b> 0.75 <b>6<sup>th</sup></b> 0.65
<b>PTO capability:</b>	660 Nm using LHS or RHS openings 930 Nm total using both openings

## TORQUE CONVERTER

<b>Make:</b>	Allison
<b>Model:</b>	TC-418
<b>Stall torque ratio:</b>	1:98:1

## FRONT AXLE AND SUSPENSION SYSTEM

<b>Ground capacity:</b>	6,500 kg
<b>Axle type:</b>	Reverse Elliot I-Beam
<b>Suspension:</b>	Parabolic leaf spring with shock absorbers
<b>Spring dimensions:</b>	80 mm x 1,400 mm
<b>Spring constant:</b>	374 N/mm

## REAR AXLE AND SUSPENSION SYSTEM

<b>Ground capacity:</b>	11,000 kg
<b>Axle type:</b>	Single reduction, hypoid gear
<b>Final reduction ratio:</b>	5.57
<b>LEAF SUSPENSION:</b>	
<b>Description:</b>	Multi-leaf spring
<b>Leaf dimensions:</b>	80 mm x 1,275 mm
<b>AIR SUSPENSION:</b>	
<b>Description:</b>	2 air bellow with Z spring
<b>Air spring diameter:</b>	323 mm
<b>Shock absorbers:</b>	2 telescopic double acting
<b>Control system:</b>	Electronic Controlled Air Suspension with programmable remote control mounted in cab (ECAS4)

## BRAKES

<b>Type:</b>	Anti-lock Braking System (ABS)
<b>Description:</b>	Full air brake system with automatic adjusting S cam
<b>Drum diameter:</b>	<b>Front</b> 410 mm <b>Rear</b> 410 mm <b>Total</b>
<b>Lining area:</b>	2,094 cm <sup>2</sup> 2,094 cm <sup>2</sup> 4,188 cm <sup>2</sup>
<b>Park brakes:</b>	Hand-operated pneumatic spring park brake on drive axle
<b>Auxiliary brake:</b>	Exhaust pressure governor (EPG)
<b>Trailer connections:</b>	Air and electrical connections to rear of chassis

## STEERING

<b>Type:</b>	Recirculating ball and screw with hydraulic assist
<b>Steering gear ratio:</b>	22.4:1
<b>Column:</b>	Adjustable, tilt and telescopic control
<b>Steering wheel:</b>	460 mm diameter with ignition key steering lock

## WHEELS & TYRES

<b>Wheels:</b>	8.25in x 22.5in rim with 165mm offset and ISO 10 stud pattern (335mm PCD)
<b>Front tyres:</b>	275/70 R22.5 Bridgestone
<b>Rear tyres:</b>	275/70 R22.5 Bridgestone
<b>Spare tyre:</b>	275/70 R22.5 Bridgestone

## FRAME

<b>Width:</b>	850 mm
<b>Side rail dimensions:</b>	236 mm x 70 mm x 8 mm
<b>Material:</b>	Rolled high tensile carbon steel
<b>Tensile strength:</b>	Min. 700 N/mm <sup>2</sup> (71.3 kgf/mm <sup>2</sup> )

## STANDARD DRIVER AIDS

<b>Warning systems:</b>	23 visual warning lamps plus written warnings displayed on LCD screen
<b>Driver assistance:</b>	Driver information including: date, time, oil pressure, voltmeter, trip information Electronic stalk mounted cruise control GPS satellite navigation with HERE® truck mapping

## INTERNAL CABIN

<b>Lighting:</b>	Dual ON/OFF/DOOR interior lights LED interior cabin lamp
<b>Seating capacity:</b>	Three
<b>Driver's seat:</b>	Air-suspended seat with adjustable shock absorber, recliner, height control and armrest
<b>Passenger seat/s:</b>	Assistant seat with adjustable head rest Foldable centre seat
<b>Sleeping capability:</b>	Rest area with mattress
<b>Side windows:</b>	Power operated door glass
<b>Security:</b>	Central locking
<b>Air conditioning:</b>	Manual controlled HVAC with recirculation filter
<b>Multimedia unit:</b>	6.1" touchscreen CD/DVD player with truck specific satellite navigation, digital radio.
<b>Storage:</b>	Multiple in-cab compartments
<b>Power outlet:</b>	24 volt 240W power outlet (dashboard) 12 volt 120W power outlet (console)
<b>DIN accessory fitment:</b>	Two DIN sized compartments
<b>Floor covering:</b>	Vinyl

## EXTERNAL CABIN

<b>Cab Description:</b>	Forward control, pressed steel construction
<b>Mounting type:</b>	Spring suspended cab with 2 dual acting shock absorbers
<b>Cab paint:</b>	Standard – Calm White
<b>Inspection points:</b>	Back of the cab and front panel
<b>Bumper type:</b>	3 piece with steel corner panels
<b>Mirrors:</b>	Heated and electrically operated main mirrors with flat glass, wide vision and passenger-side downward facing spot mirrors
<b>Lamps:</b>	Halogen multi-reflector head lamps Bumper mounted fog lamps Roof mounted clearance lights
<b>Wipers:</b>	2-speed wipers with intermittent operation
<b>Reversing system:</b>	Reverse beeper

## DEALER FIT OPTIONAL EQUIPMENT

<b>Transmission PTO:</b>	Specific to application (refer to dealer)
<b>Cameras:</b>	Up to 4 additional analogue cameras connected to the multimedia unit

**PK Models available with 12000kg GVM on application:**  
Refer to your Dealer.



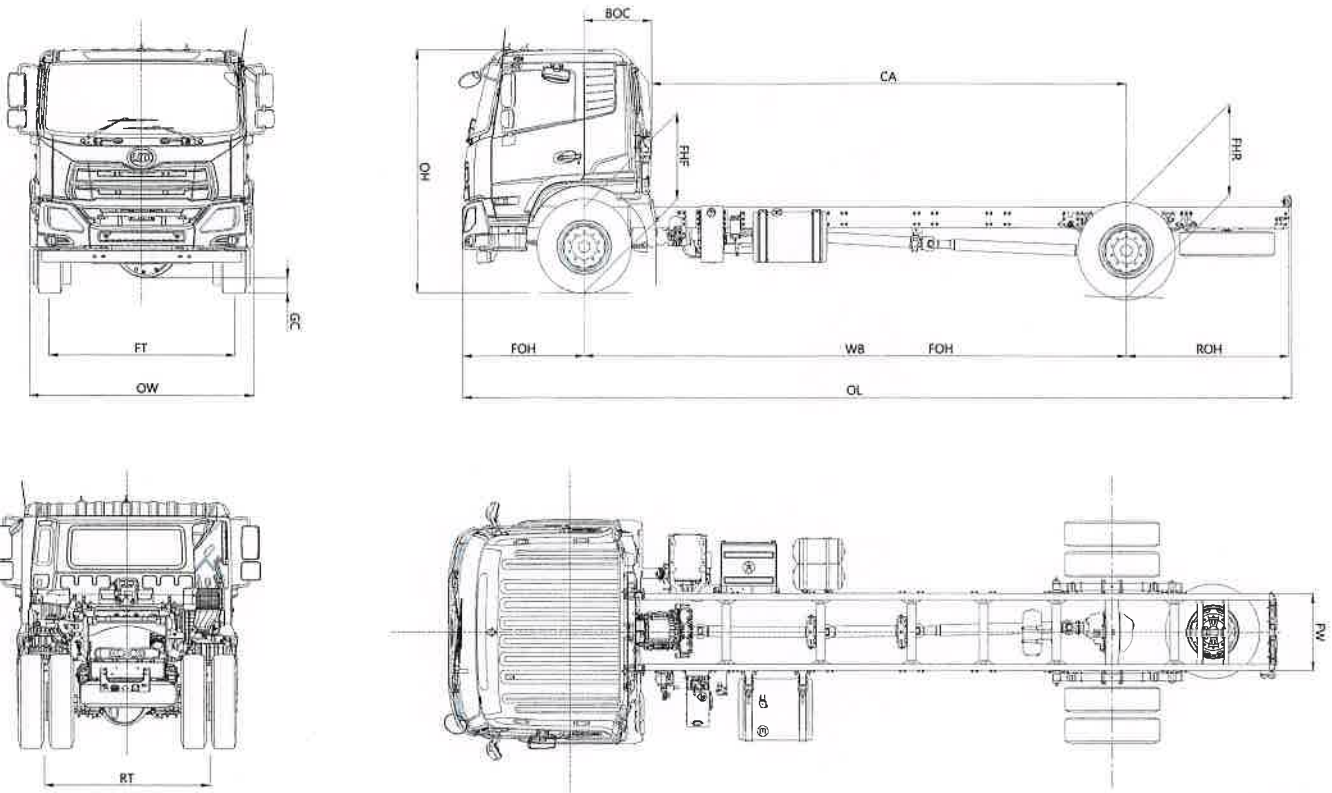
# WEIGHTS AND DIMENSIONS (approx.)

Variant	Model	Mass (kg)					Vehicle Dimensions (mm)														
		GVM*	GCM	Front Tare <sup>1,3</sup>	Rear Tare <sup>1,3</sup>	Total Tare <sup>1,3</sup>	WB	OL	OW	OH	FT*	RT*	FW	FOH	ROH	BOC	CA	GC <sup>2</sup>	PHF <sup>2</sup>	PHR <sup>2</sup>	Turning radius (kerb to kerb)
Leaf	PK18280EAL			3190	2095	5285	3750	6910								1795	3000				6625
	PK18280HAL			3265	2090	5355	4500	7710								1845	3750				7900
	PK18280NAL	17500	32000	3325	2170	5495	5500	9560	2486	2772	2036	1835	850	1355	2695	750	4750	230	980	1066	9625
	PK18280RAL			3365	2245	5610	6000	10210							2845	5250					10475
	PK18280RAL			3395	2255	5650	6500	11010							3145	5750					11325
Air	PK18280HAA			3235	2055	5290	4500	7710								1845	3750				7900
	PK18280NAA	17500	32000	3295	2140	5435	5500	9560	2486	2772	2036	1835	850	1355	2695	4750	230	980	1022	9625	
	PK18280RAA			3335	2215	5550	6000	10210							2845	5250					10475
	PK18280TAA			3365	2225	5590	6500	11010							3145	5750					11325

\*Rated GVM and axle capacities are subject to legal requirements.

<sup>1</sup>Mass is an estimation only based on standard model, includes fluids (not Diesel fuel or AdBlue). Excludes driver and tools.

<sup>2</sup>Based on vehicle with standard wheels and tyres.



## WARRANTY

**Standard warranty** 24 months / 200,000 kms

**Major components** 36 months / 200,000 kms

For details refer to your UD Trucks New Vehicle Warranty brochure